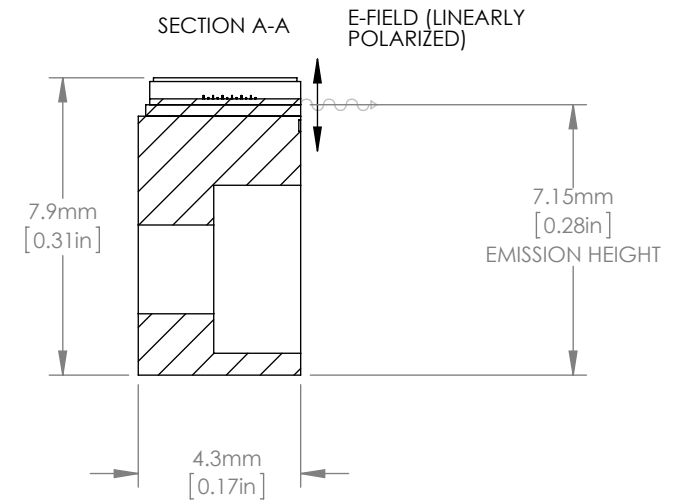
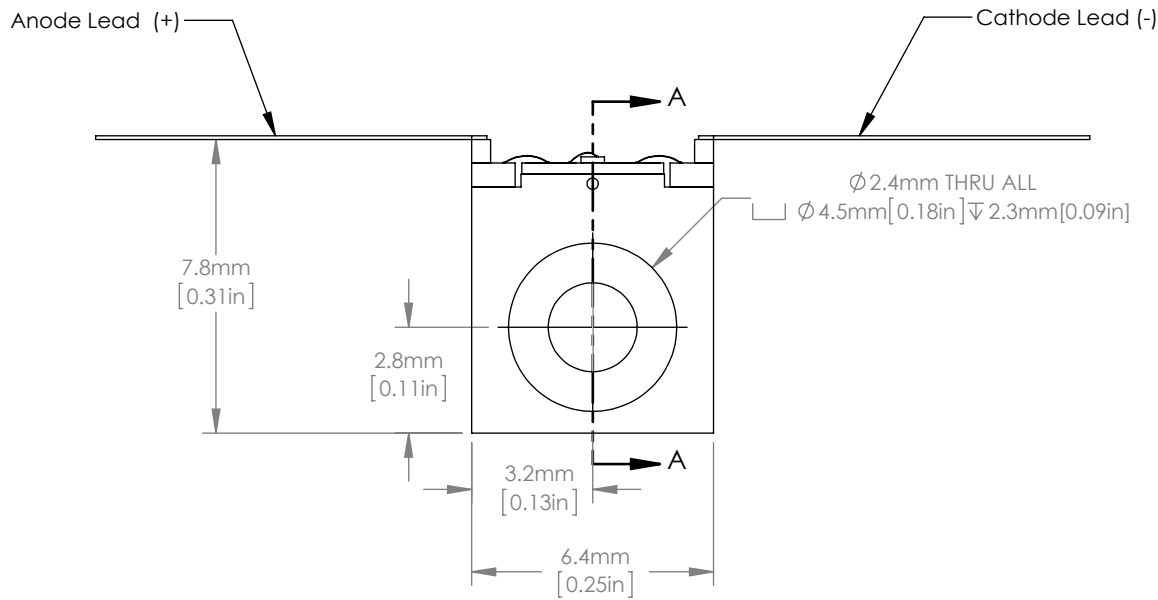
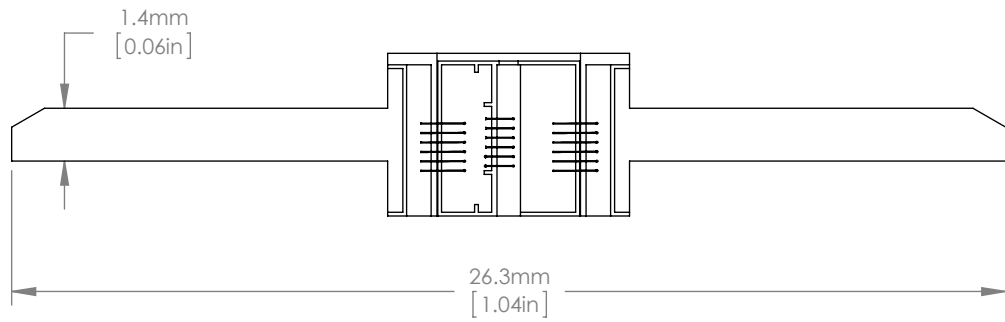
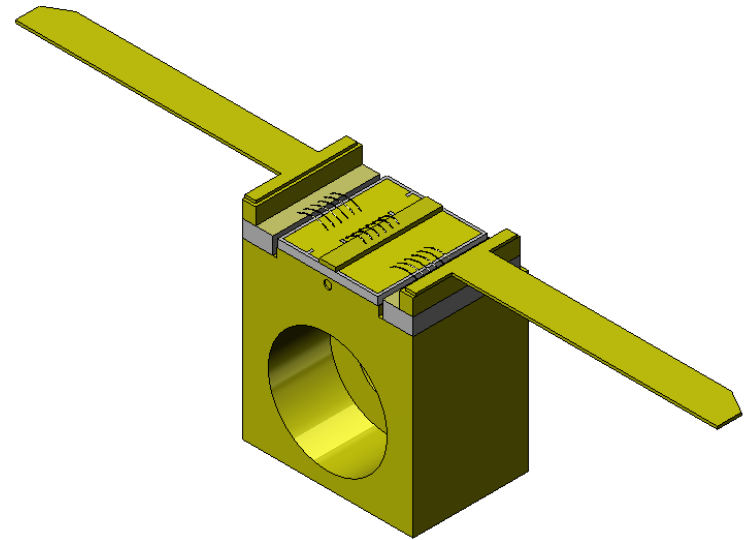


Item #	Wavelength	Power
QF4050CM1	4.05 μm	150 mW
QF4550CM1	4.55 μm	450 mW
QF5300CM1	5.30 μm	200 mW
QF9150CM1	9.15 μm	180 mW
QF9550CM1	9.55 μm	80 mW



FOR INFORMATION ONLY
NOT FOR MANUFACTURING PURPOSES

DRAWING PROJECTION			THORLABS www.thorlabs.com	
NAME	DATE	C-Mount Fabry-Perot QCL		
DRAWN	KL	30 APR 2014	REVISION	
APPROVAL	SS	30 APR 2014	MATERIAL	REV B
COPYRIGHT © 2014 BY THORLABS			N/A	
VALUES IN PARENTHESIS ARE CALCULATED AND MAY CONTAIN ROUND OFF ERRORS		ITEM #	SEE TABLE	APPROX WEIGHT 1.4 g