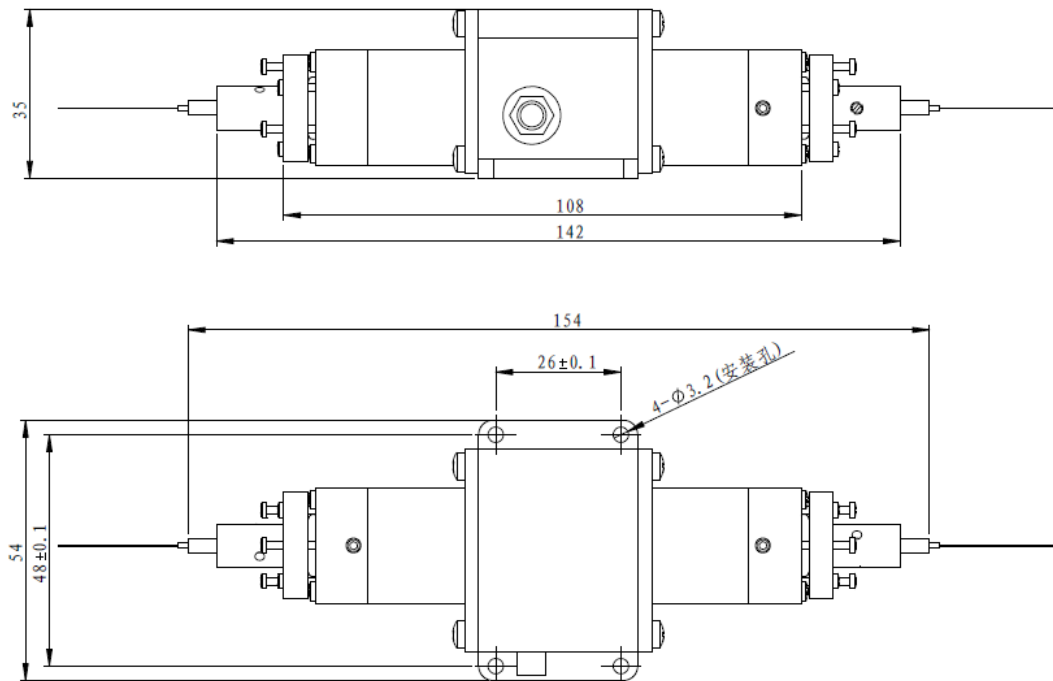


Fiber coupled AOM

<u>PARAMETER</u>	<u>SPECIFICATION</u>
Interactive Material	TeO ₂
Operating Wavelength	1064nm
Operating Frequency	80MHz
Fiber Type *	Single mode 10/125, 0.5m long
Throughout Laser Power	>3W CW (>5kW pulsed)
Insertion Loss	<2.0dB
Light Polarization	Random
Mechanical Dimensions	154mm×54mm×35mm

* Can be customized



RF Driver

PARAMETER

SPECIFICATION

Output Frequency	80.000 MHz + 0.01% Quartz Stabilized
Spurious Levels	-50 dBc Maximum
Harmonic Distortion	-15 dBc Maximum
Modulation Input	TTL, High Level: Full RF Power, Low Level: Minimum RF Power
Extinction Ratio	50 dB Minimum
RF Rise	200ns Maximum P_{RF} : 10 to 90 %
Fall Time	20 ns Maximum P_{RF} : 90 to 10 %
RF Output Power	>1.5 Watts Factory Set for Optimum Performance When Paired with a Raycus AO Device.
Output Impedance	50 Ohms Nominal
Supply Voltage	+ 24 VDC \pm 0.5 Volt
Supply Current	1 Amp Maximum
Mechanical Dimensions	114mm \times 58mm \times 30mm

MAXIMUM RATINGS:

Supply Voltage	+ 28 Volts
Power Output	No DC Feedback Allowed
Case Temperature*	+ 55°C

*The Driver Must Be Attached to an Adequate Heatsink.

CONNECTORS & MECHANICAL:

RF Output Connector	SMA Female
Modulation Input Connector	TTL
Power Supply Connections	Wire

