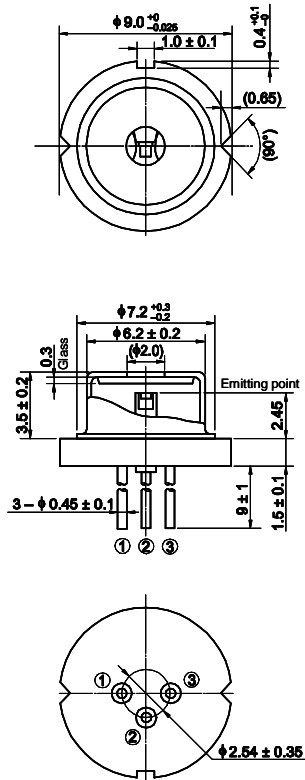


Data Sheet

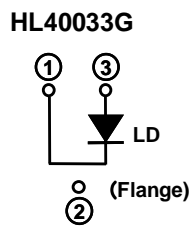
Violet Laser Diode

405nm/1,000mW

Outline



Internal Circuit



Features:

- Optical output power: 1,000mW(CW)
- Violet lasing: 405nm typ.
- Low operating current: 900mA typ.
- Low operating voltage: 5.0V typ.
- Package: $\phi 9.0$ mm
- Multiple transverse mode
- TE mode oscillation

Applications:

- Direct imaging for PCB
- Industry
- Display
- Bio & Medical

Data Sheet

Absolute Maximum Ratings (T_c=25°C)

Item	Symbol	Ratings	Unit
Optical output power	P _o	1,100	mW
LD Reverse Voltage	V _{R(LD)}	2	V
Operating Temperature	T _{opr}	0 ~ +30	°C
Storage Temperature	T _{stg}	-40 ~ +85	°C

Optical and Electrical Characteristics (T_c=25°C)

Parameter	Symbol	Min	Typ	Max	Unit	Test Condition
Threshold current	I _{th}	150	230	400	mA	-
Operating current	I _{op}	700	900	1,200	mA	P _o =1,000mW
Operating voltage	V _{op}	-	5.0	5.5	V	P _o =1,000mW
Beam divergence Parallel to the junction	θ _{//}	5	13	25	°	P _o =1,000mW, Full angle 1/e ²
Beam divergence Perpendicular to the junction	θ _⊥	30	45	60	°	P _o =1,000mW, Full angle 1/e ²
Lasing Wavelength	λ _p	400	405	410	nm	P _o =1,000mW