

## 850nm Compact Laser Diode Modules Key features

Wavelength: 850nm

Light Output: 300mW CW

Package Type: TO-18(Φ 5.6mm)

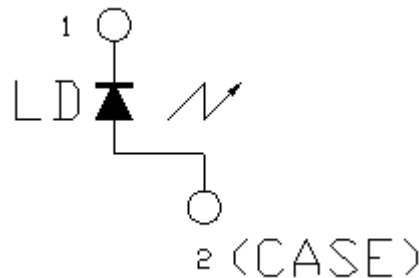
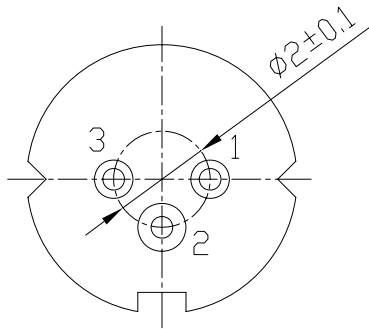


SS-D6-4-850-300A

### ■ Absolute Maximum Ratings (Tc=25°C)

Parameter		Symbols	Ratings	Units
Optical Output		Po(CW)	300	mW
Reverse Voltage	Laser	V <sub>r</sub>	2	V
	PIN PD	V <sub>r</sub> (PIN)	30	V
Operating Temperature		T <sub>op</sub>	-10 ~ +40	°C
Storage Temperature		T <sub>stg</sub>	-40 ~ +80	°C

### ■ Electrical Connection



### ■ Electrical and optical Characteristics(Tc=25°C)

Parameter	Symbols	Conditions	Min	Typ	Max	Units	
Threshold Current	I <sub>th</sub>	-	-	90	130	mA	
Operating Current	I <sub>op</sub>	Po=300mW	-	450	550	mA	
Operating Voltage	V <sub>op</sub>	Po=300mW	-	1.6	1.9	Volts	
Slope Efficiency	η	-	0.6	0.8	-	mW/mA	
Beam Divergence (FWHM)	Parallel	θ <sub>  </sub>	Po=300mW	9	12	15	deg
	Perpendicular	θ <sub>⊥</sub>	Po=300mW	28	30	35	deg
Parallel Deviation Angle	Δθ <sub>  </sub>	Po=300mW	-3	-	3	deg	
Perpendicular Deviation Angle	Δθ <sub>⊥</sub>	Po=300mW	-3	-	3	deg	
Emission Point Accuracy	ΔX, ΔY, ΔZ	Po=300mW	-80	-	80	um	
Lasing Wavelength	λ <sub>p</sub>	Po=300mW	840	850	860	nm	

Im is sorting by custom's need

© θ<sub>||</sub> and θ<sub>⊥</sub> are defined as the angle within which the intensity is 50% of the peak value.

