

1940/1~600mW

## LD PUMPED ALL-SOLID-STATE INFRARED LASER AT 1940nm

All solid state infrared laser module at 1940nm is made features of ultra compact, long lifetime, low cost and easy operating, which is used in measurement, communication, spectrum analysis, etc.

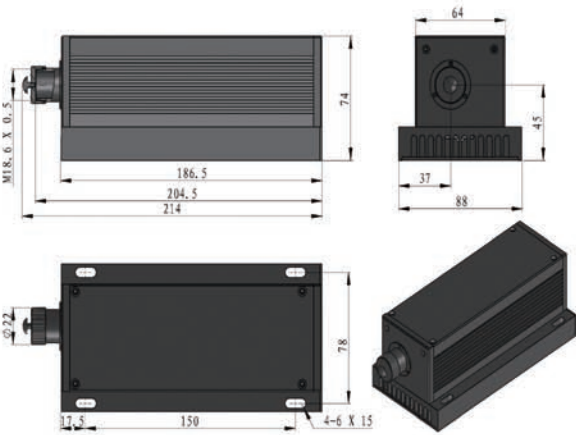


### SPECIFICATIONS

Wavelength (nm)	1940±1	
Operating mode	CW	
Output power (mW)	>1, 2, 3, ...,600	
Power stability (rms, over 4 hours)	<1%, <2%, <3%, <5%	
Transverse mode	Near TEM <sub>00</sub>	
Polarizaion ratio	~500:1	
M <sup>2</sup> factor	<4	
Beam divergence, full angle (mrad)	<8	
Beam diameter at the aperture (1/e <sup>2</sup> ,mm)	<4	
Beam height from base plate (mm)	45	
Warm-up time (minutes)	<10	
Operating temperature (°C)	10~35	
Power supply (90-264VAC)	PSU-H-LED	PSU-H-FDA
Expected lifetime (hours)	10000	
Warranty period	1 year	

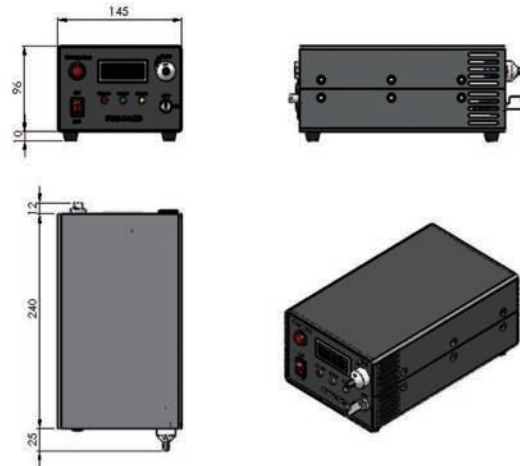


MIL-F-1940



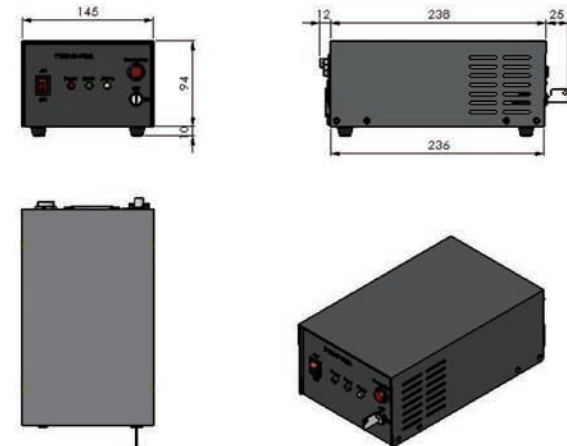
214(L)×88(W)×74(H) mm<sup>3</sup>, 1.6 kg

PSU-H-LED



277 (L) ×145(W) ×106 (H) mm<sup>3</sup>, 2.6 kg

PSU-H-FDA



275 (L) ×146(W) ×104 (H) mm<sup>3</sup>, 2.4 kg